

FAG

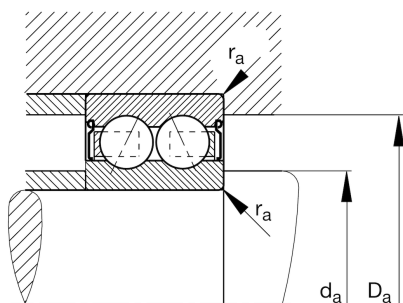
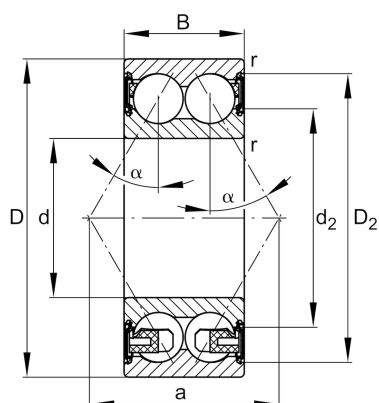
**3212-BD-XL-2HRS**

Angular contact ball bearing

Schaeffler ID:  
0822755720000Angular contact ball bearing 32..-BD-  
XL-2HRS, double row, X-life, seals, steel  
sheet metal cage

X-life

## Technical information

**Main Dimensions & Performance Data**

d	60 mm	Bore diameter
D	110 mm	Outside diameter
B	36,5 mm	Width
$C_r$	75.000 N	Basic dynamic load rating, radial
$C_{0r}$	64.000 N	Basic static load rating, radial
$C_{ur}$	4.400 N	Fatigue load limit, radial
$n_G$	4.750 1/min	Limiting speed
	1,31 kg	Weight

**Dimensions**

$r_{min}$	1,5 mm	Minimum chamfer dimension
$D_2$	100,5 mm	Caliber diameter outer ring
$d_2$	76,6 mm	Caliber diameter inner ring
a	64,7 mm	Distance between the apexes of the pressure cones
$\alpha$	30 °	Contact angle

**Mounting dimensions**

$d_{a min}$	69 mm	Minimum diameter shaft shoulder
$D_{a max}$	101 mm	Maximum diameter of housing shoulder
$r_{a max}$	1,5 mm	Maximum fillet radius

**Temperature range**

$T_{min}$	-20 °C	Operating temperature min.
$T_{max}$	100 °C	Operating temperature max.